

## CERTIFICATION



HACCP International



ISO9001

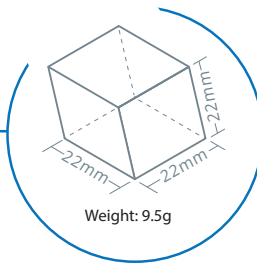
# ICE MATE

by  HOSHIZAKI

## SRM-650AB-B-801SA

### ICE MAKER

#### DICE



ICEMATE is committed to bringing high-efficiency / energy-saving, and high quality ice-making product to people who have dreams and desire to create their own business with the best scientific technology and manufacturing technology.

### KEY FEATURES

#### SAFETY AND HYGIENE ASSURED ICE MACHINE

##### AUTO-CLEANING



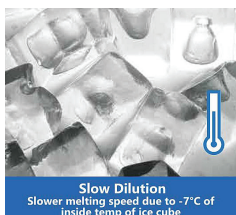
Timely maintenance of water system can extend life of equipment.

##### PURE ICE



Overflow self-cleaning function, ensuring ice hygiene

IoT



**Slow melt Dilution**

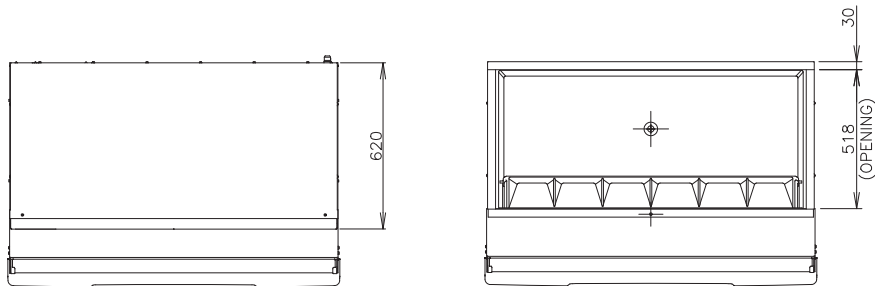


**Powerful Ice Making**



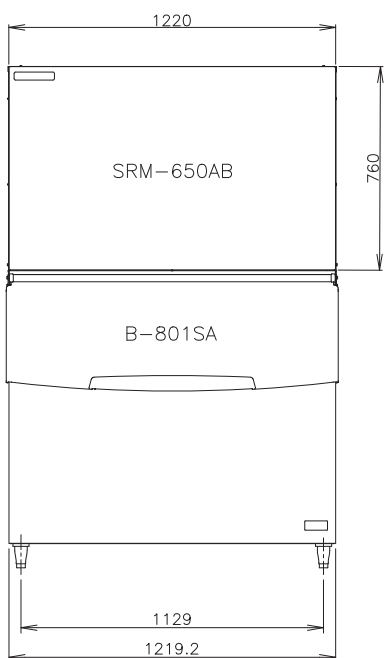
**Energy & Water Saving, Quiet Operation**

**BIN TOP VIEW**

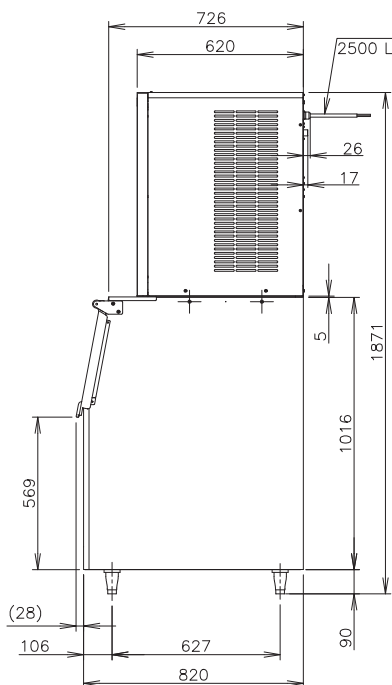


BIN TOP VIEW

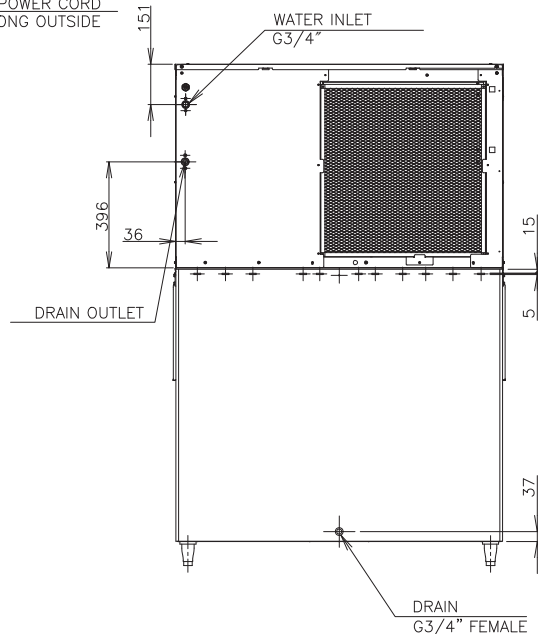
**FRONT SIDE**



**RIGHT SIDE**



**BACK SIDE**



**SPECIFICATIONS**

Ice Dimensions	Dice: 22mm*22mm*22mm		Ice water consumption per 24H	(AT32°C/WT21°C)	490L(1.0L/kg ice)
Outside Dimensions	1220mm(W) x 820mm(D) x 1871(~1901)mm(H)		Ice Production Freeze Cycle Time	(AT21°C/WT15°C)	Approx:15min
Package Dimensions	Ice Maker: Pallet + Carton:1325mm(W)x 720mm(D)x 945mm(H) Storage Bin:Pallet + Carton:1239mm(W)x 916mm(D)x 1142mm(H)		Ice Production per Cycle	(AT21°C/WT15°C)	Approx:6.11kg/612pcs
Weight (Net / Gross)	Ice Maker: 120kg/144kg Storage Bin: 64kg/86kg		<b>OPERATING CONDITIONS</b>		
Amperage/Starting Amperage	10.3A/73A		Voltage Range	198-242V	
Electrical Consumption	(AT32°C / WT21°C) 2306W		Ambient Temperature	5-38°C	
Refrigerant Charge	R404A/1200g		Water Supply Temperature	5-32°C	
Ice Storage Capacity	Maximum: 348kg		Water Supply Pressure	0.07-0.55MPa(0.7-5.5bar)	
Ice Production per 24H	(AT10°C / WT10°C)	Approx:696kg	Supply Voltage	1 Phase 220V 60Hz	
	(AT21°C / WT15°C)	Approx:597kg			
	(AT32°C / WT21°C)	Approx:469kg			

